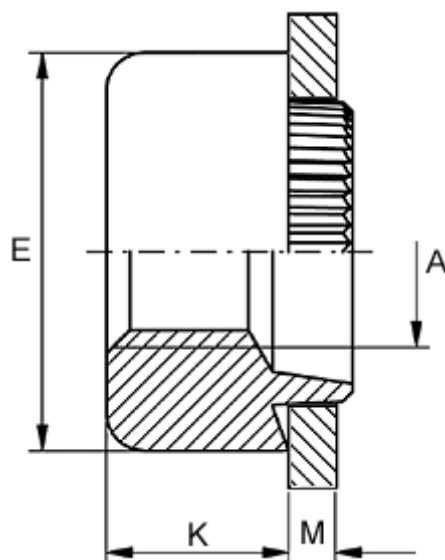


Article number: 12715000020800

Description: KLEE-coil 715 000 020.800  
M2 Brass

## Measures

---



Female thread A	= M2
Height K	= 3.0
Outer diameter E	= 8.0
Plate thickness	= 4.1 to 4.3
Recommended bore diameter for extreme load	= 6.0
Recommended bore diameter for normal use	= 6.0